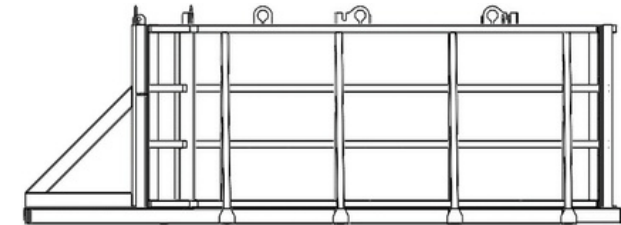
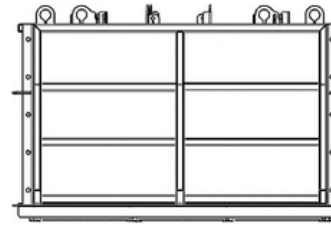
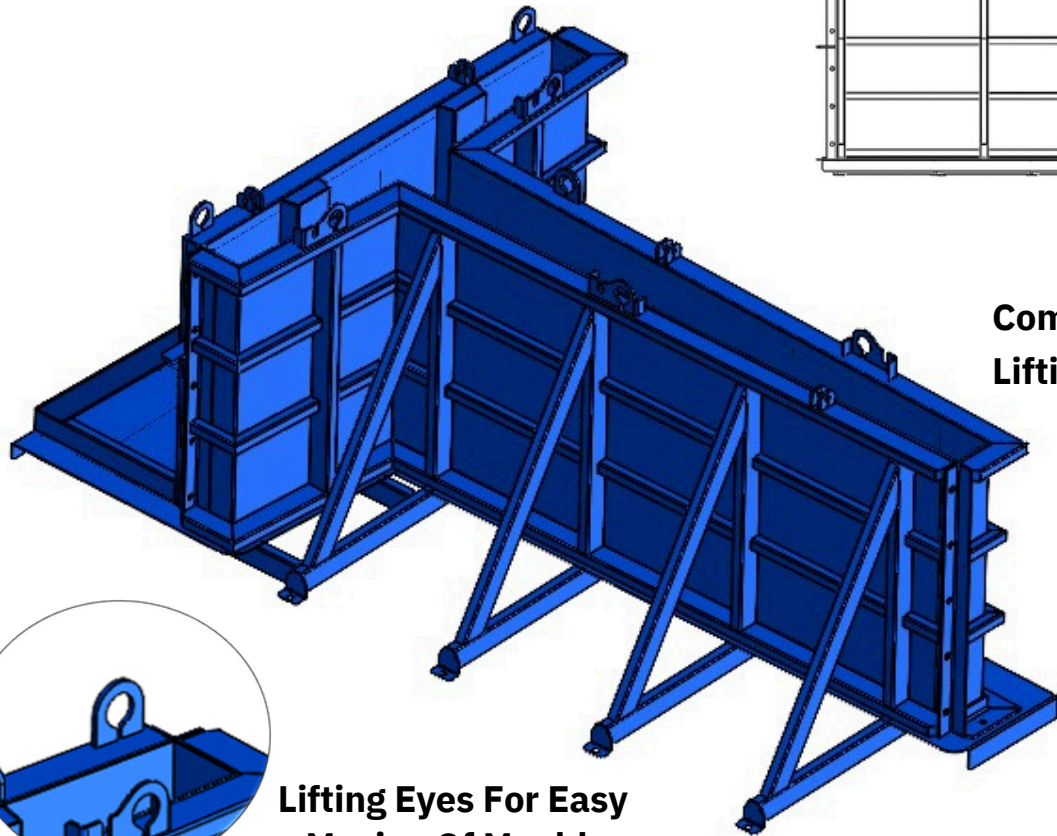
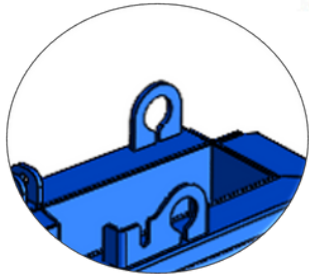
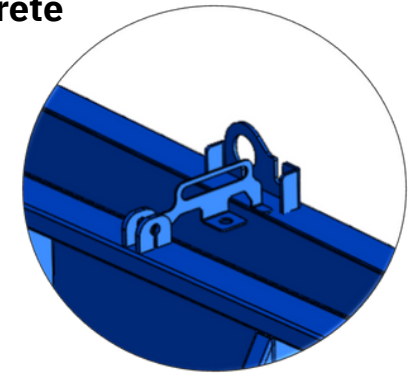


T – Wall Moulds

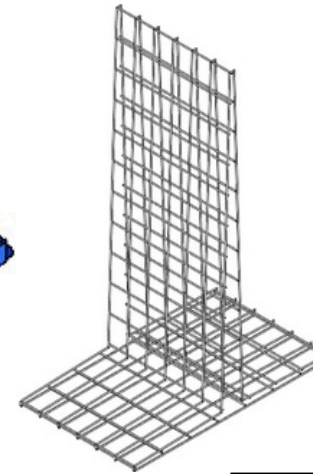


1200L x 1940W x 2980H

Compatible With Concrete Lifting Inserts



Lifting Eyes For Easy Moving Of Mould



Mesh Reinforcement Frame

Compatible With:
Other T - Walls

Data for blocks produced from the moulds.

TYPICAL USES OF BLOCKS:

- § Storage Bays For Aggregates / Agricultural / Scrap Merchants,
- § Recycling Centres For Material Segregation,
- § Traffic Calming / Road Barrier,
- § To Provide Security Boundaries

Mould No.	Size / mm	Mass / kg	Volume / m3	No. of Lifting Points
BMT-1200-1	1200	2850	1.19	4

Cabragh Engineering