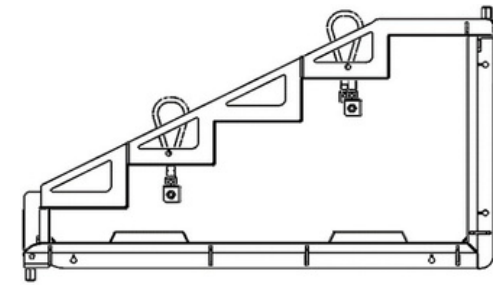
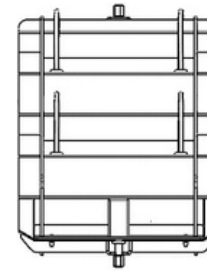
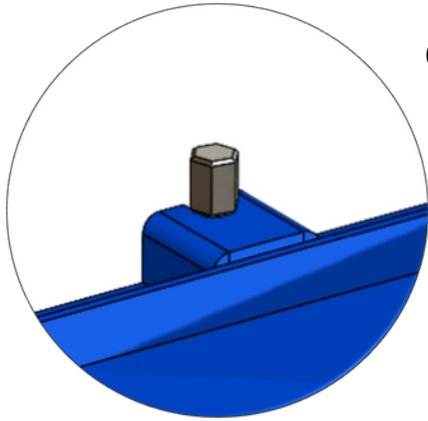
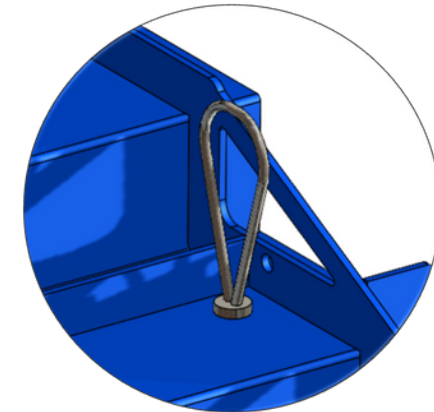
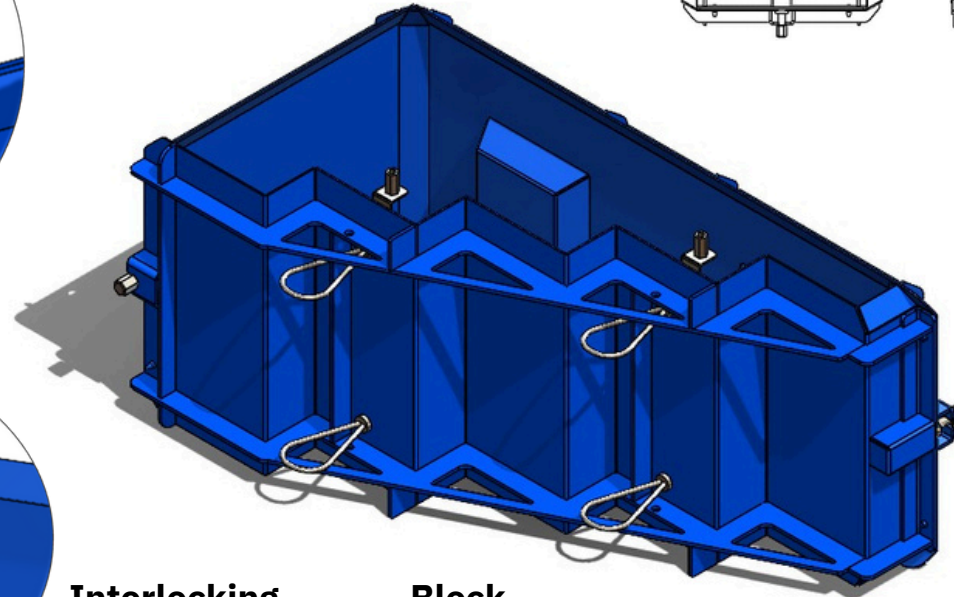


Stair Block Moulds

**Quick Release System
For Splitting Moulds**



1410L x 680W x 700H



**Compatible With Concrete
Lifting Inserts**

**Interlocking Block
Design On The Base Of
The Block**

TYPICAL USES OF BLOCKS:

- § Storage Bays For Aggregates / Agricultural / Scrap Merchants,
- § Recycling Centres For Material Segregation,
- § Traffic Calming / Road Barrier,
- § To Provide Security Boundaries

Compatible With:

Kelly Blocks Half Blocks Flat Top Blocks

Data for blocks produced from the moulds.

Mould No.	Size / mm	Mass / kg	Volume / m3	No. of Lifting Points
BMS-1410-1	1410	935	0.39	4

Cabragh Engineering