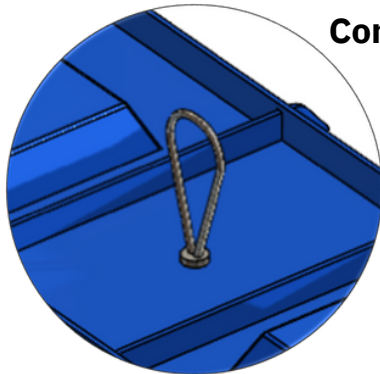
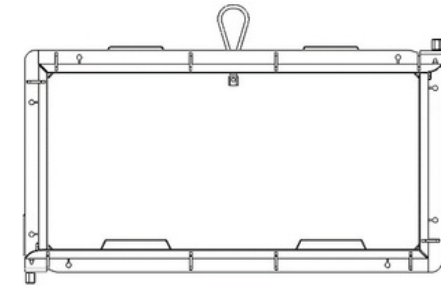
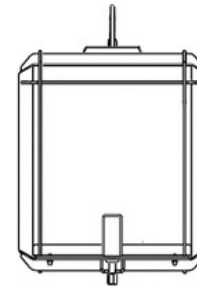


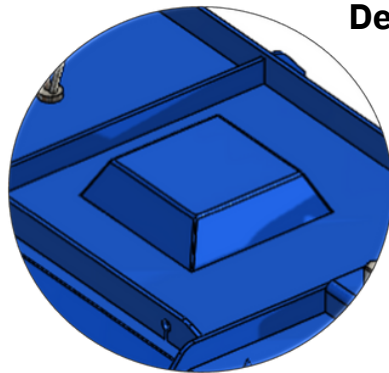
Kelly Block Moulds



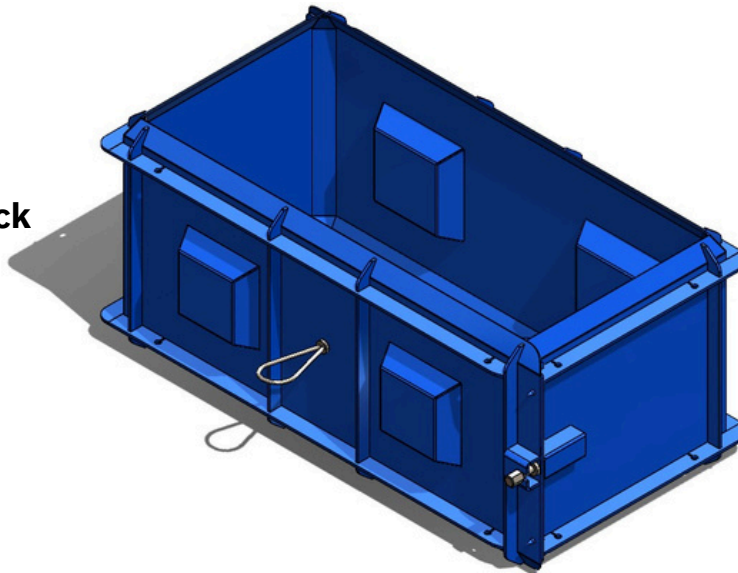
Compatible With Concrete Lifting Inserts



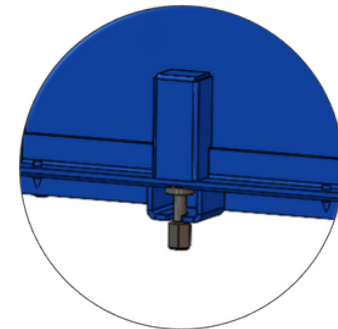
1410L x 680W x 700H



Interlocking Block Design



Quick Release System For Splitting Moulds



TYPICAL USES OF BLOCKS:

- § Storage Bays For Aggregates / Agricultural / Scrap Merchants,
- § Recycling Centres For Material Segregation,
- § Traffic Calming / Road Barrier,
- § To Provide Security Boundaries

Compatible With:

Half Blocks Flat Top Blocks Stair Blocks

Data for blocks produced from the moulds.

| Mould No. | Size / mm | Mass / kg | Volume / m3 | No. of Lifting Points |
|------------|-----------|-----------|-------------|-----------------------|
| BMK-1410-1 | 1410 | 1580 | 0.66 | 1 |
| | | | | |

Cabragh Engineering